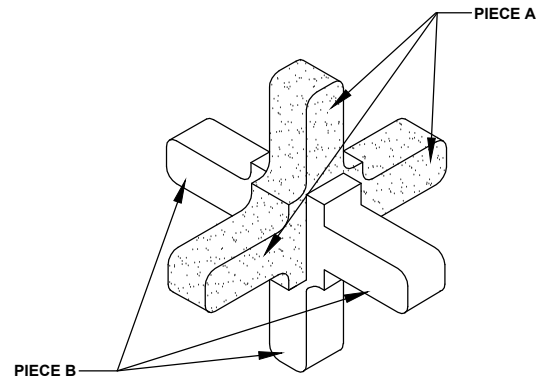
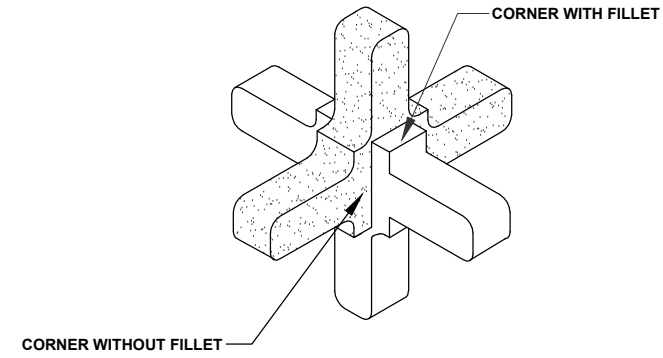


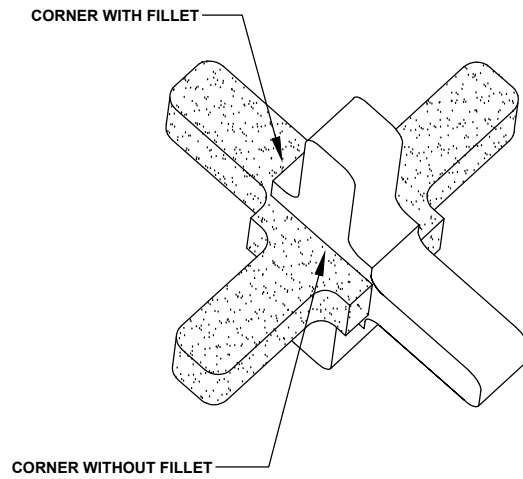
1. IDENTIFY SHOREJAX COMPONENTS.



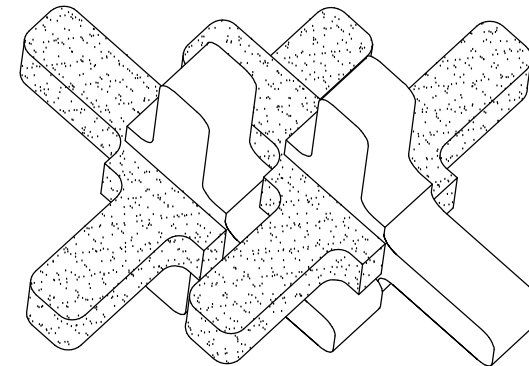
2. IDENTIFY CORNERS WITH AND WITHOUT FILLETS.



3. PROPER ROTATION OF SHOREJAX.



4. ALIGN ALL SHOREJAX IN SAME DIRECTION. CORNERS WITHOUT FILLET MUST LINE UP.



38200 LA Hwy. 16
Denham Springs, LA 70706
1-800-575-7293
www.shoretec.com

Client:

Title:
**SHOREJAX ASSEMBLY
& PLACEMENT DETAIL 1**

Scale: **SCALE** Drawn By: **MDD** File Name:

Project No: Drawing No:

No.	Date	Revision	By

DISCLAIMER
THE INFORMATION CONTAINED HEREIN HAS BEEN COMPLIED BY SHORETEC[®] LLC AND TO THE BEST OF OUR KNOWLEDGE, ACCURATELY REPRESENTS THE SHORETEC[®] PRODUCT USE IN THE APPLICATIONS WHICH ARE ILLUSTRATED. FINAL DETERMINATION OF THE SUITABILITY FOR THE USE CONTEMPLATED AND ITS MANNER OF USE ARE THE SOLE RESPONSIBILITY OF THE USER. STRUCTURAL DESIGN AND ANALYSIS SHALL BE PERFORMED BY A QUALIFIED ENGINEER.

THIS DRAWING IS BEING FURNISHED FOR THIS SPECIFIC PROJECT ONLY. ANY PARTY ACCEPTING THIS DOCUMENT DOES SO IN CONFIDENCE AND AGREES THAT IT SHALL NOT BE DUPLICATED IN WHOLE OR IN PART, NOR DISCLOSED TO OTHERS WITHOUT THE CONSENT OF SHORETEC[®] L.L.C..