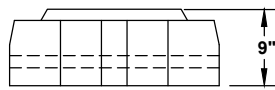
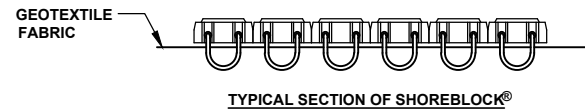
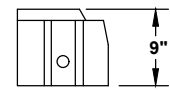


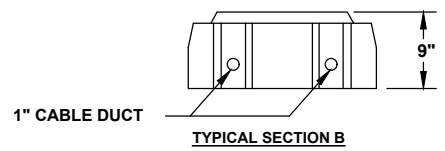
SHOREBLOCK® MAT ASSEMBLY DETAIL
N.T.S.



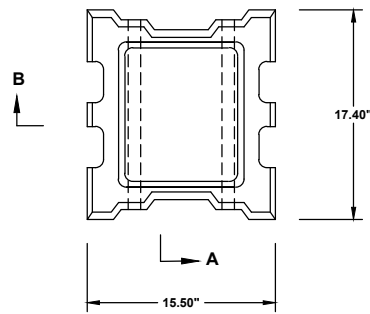
TYPICAL SECTION A



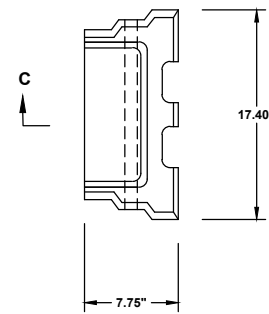
TYPICAL SECTION C



TYPICAL SECTION B



SD-900 CC UNIT



HALF BLOCK UNIT

TECHNICAL SPECIFICATIONS

- 1) SHOREBLOCK® UNITS ARE MANUFACTURED IN ACCORDANCE WITH ASTM C90 AND C140 AND THE FOLLOWING CRITERIA:
 - A) CONCRETE UNIT WEIGHT 130 -150 LBS/CF
 - B) MINIMUM COMPRESSIVE STRENGTH - 4,000 PSI.
 - C) MAXIMUM ABSORPTION - 5 %
 - D) DIMENSIONAL TOLERANCE ± 1/8"
- 2) GALVANIZED OR POLYESTER CABLING

ASSEMBLY SPECIFICATIONS

- 1) SHOREBLOCK® UNITS ARE SHOP ASSEMBLED IN A CABLED MATTERESS AS SHOWN ABOVE.
- 2) SHOREBLOCK® MATS ARE PLACED BY THE CONTRACTOR IN THE FIELD ON PREPARED SLOPES PER THE CONTRACT DRAWINGS.

UNIT	UNIT WEIGHT LBS.	SYSTEM WEIGHT (lbs/sq.ft)	OPEN AREA
SD-900 CC	145 - 156	82 - 88	10%



38200 LA Hwy. 16
Denham Springs, LA 70706
1-800-575-7293
www.shoretec.com

Client:		Title:		No.		Date	Revision	By
		SHOREBLOCK® SD SERIES SD-900 CLOSED CELL						
Scale:	Drawn By:	File Name:	Project No:	Drawing No:				
N.T.S.	A. CASE			59				

DISCLAIMER
THE INFORMATION CONTAINED HEREIN HAS BEEN COMPILED BY SHORETEC® LLC AND TO THE BEST OF OUR KNOWLEDGE, ACCURATELY REPRESENTS THE SHORETEC® PRODUCT USE IN THE APPLICATIONS WHICH ARE ILLUSTRATED. FINAL DETERMINATION OF THE SUITABILITY FOR THE USE CONTEMPLATED AND ITS MANNER OF USE ARE THE SOLE RESPONSIBILITY OF THE USER. STRUCTURAL DESIGN AND ANALYSIS SHALL BE PERFORMED BY A QUALIFIED ENGINEER.

THIS DRAWING IS BEING FURNISHED FOR THIS SPECIFIC PROJECT ONLY. ANY PARTY ACCEPTING THIS DOCUMENT DOES SO IN CONFIDENCE AND AGREES THAT IT SHALL NOT BE DUPLICATED IN WHOLE OR IN PART, NOR DISCLOSED TO OTHERS WITHOUT THE CONSENT OF SHORETEC® L.L.C.