

BACKFILL WITH 4000 PSI CONCRETE
HAND TROWEL SMOOTH

REBAR WOVEN BETWEEN
REVETMENT CABLES

SHOREBLOCK®
MAT

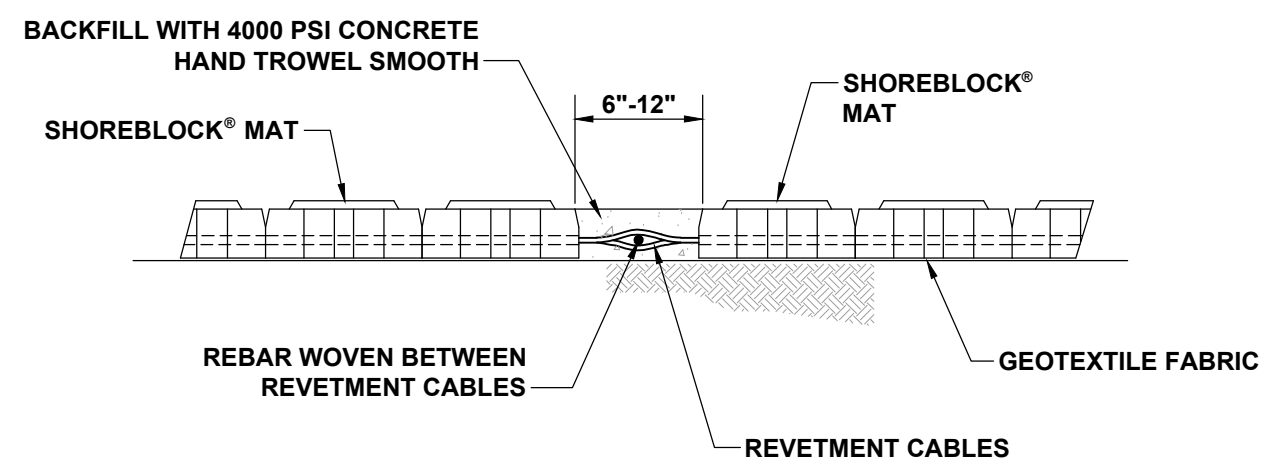
RE-BAR

FLEX OR
HELICAL ANCHOR

REVETMENT CABLES

SHOREBLOCK®
MAT

PLAN VIEW



BACKFILL WITH 4000 PSI CONCRETE
HAND TROWEL SMOOTH

SHOREBLOCK® MAT

6"-12"

SHOREBLOCK®
MAT

REBAR WOVEN BETWEEN
REVETMENT CABLES

GEOTEXTILE FABRIC

REVETMENT CABLES

SECTION "A-A"



38200 LA Hwy, 16
Denham Springs, LA 70706
1-800-575-7293
www.shoretec.com

Client:		Title:		No.		Date	Revision	By
		SHOREBLOCK® SD SERIES CONN. BETWEEN MATS USING CONCRETE JOINTS						
Scale:	Drawn By:	File Name:	Project No:	Drawing No:				
N.T.S.	A. CASE			27				

DISCLAIMER
THE INFORMATION CONTAINED HEREIN HAS BEEN COMPILED BY SHORETEC® LLC AND TO THE BEST OF OUR KNOWLEDGE, ACCURATELY REPRESENTS THE SHORETEC® PRODUCT USE IN THE APPLICATIONS WHICH ARE ILLUSTRATED. FINAL DETERMINATION OF THE SUITABILITY FOR THE USE CONTEMPLATED AND ITS MANNER OF USE ARE THE SOLE RESPONSIBILITY OF THE USER. STRUCTURAL DESIGN AND ANALYSIS SHALL BE PERFORMED BY A QUALIFIED ENGINEER.

THIS DRAWING IS BEING FURNISHED FOR THIS SPECIFIC PROJECT ONLY. ANY PARTY ACCEPTING THIS DOCUMENT DOES SO IN CONFIDENCE AND AGREES THAT IT SHALL NOT BE DUPLICATED IN WHOLE OR IN PART, NOR DISCLOSED TO OTHERS WITHOUT THE CONSENT OF SHORETEC® L.L.C.