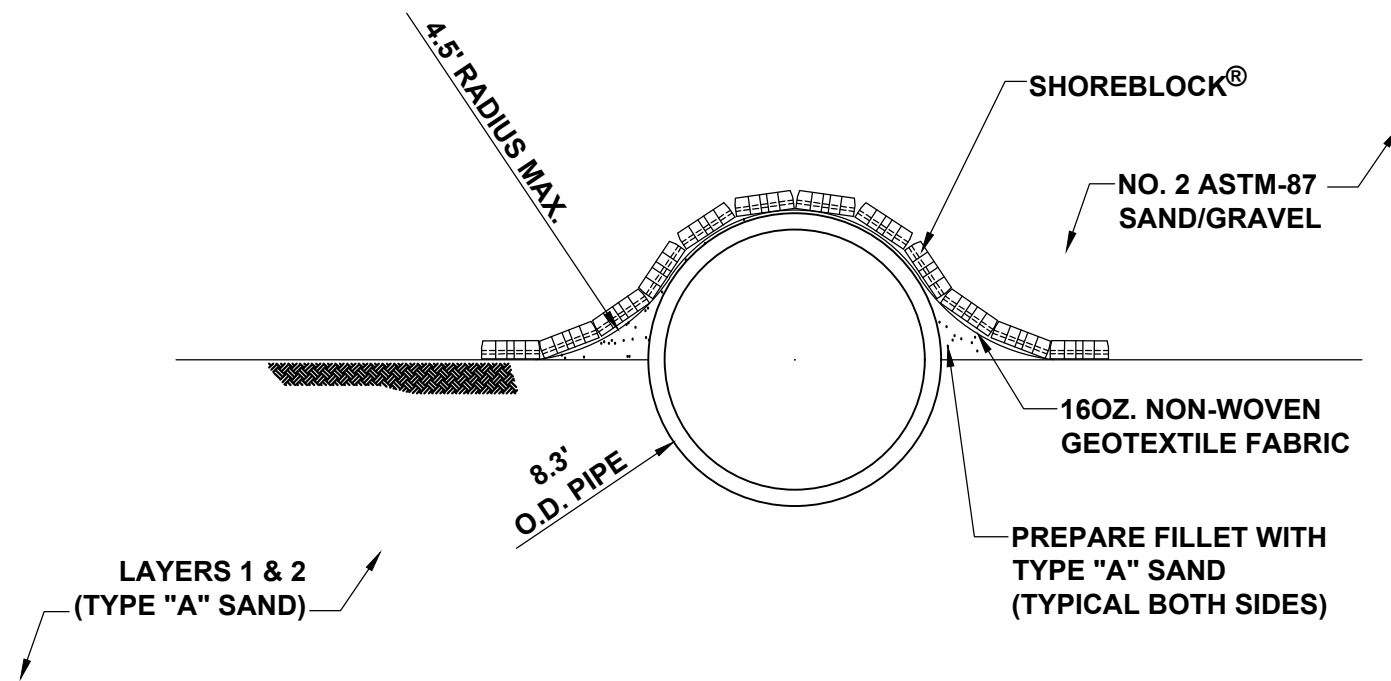


**SECTION
PIPELINE COVER**



PIPELINE COVER SECTION



38200 LA Hwy. 16
Denham Springs, LA 70706
1-800-575-7293
www.shoretec.com

Client:		Title:		No.			Date	Revision	By
		SHOREBLOCK® BD SERIES PIPELINE PROTECTION							
Scale:	File Name:	Project No.:	Drawing No.:						
N.T.S.			25						

DISCLAIMER
THE INFORMATION CONTAINED HEREIN HAS BEEN COMPLIED BY SHORETEC® L.L.C AND TO THE BEST OF OUR KNOWLEDGE, ACCURATELY REPRESENTS THE SHORETEC® PRODUCT USE IN THE APPLICATIONS WHICH ARE ILLUSTRATED. FINAL DETERMINATION OF THE SUITABILITY FOR THE USE CONTEMPLATED AND ITS MANNER OF USE ARE THE SOLE RESPONSIBILITY OF THE USER. STRUCTURAL DESIGN AND ANALYSIS SHALL BE PERFORMED BY A QUALIFIED ENGINEER.

THIS DRAWING IS BEING FURNISHED FOR THIS SPECIFIC PROJECT ONLY. ANY PARTY ACCEPTING THIS DOCUMENT DOES SO IN CONFIDENCE AND AGREES THAT IT SHALL NOT BE DUPLICATED IN WHOLE OR IN PART, NOR DISCLOSED TO OTHERS WITHOUT THE CONSENT OF SHORETEC® L.L.C.