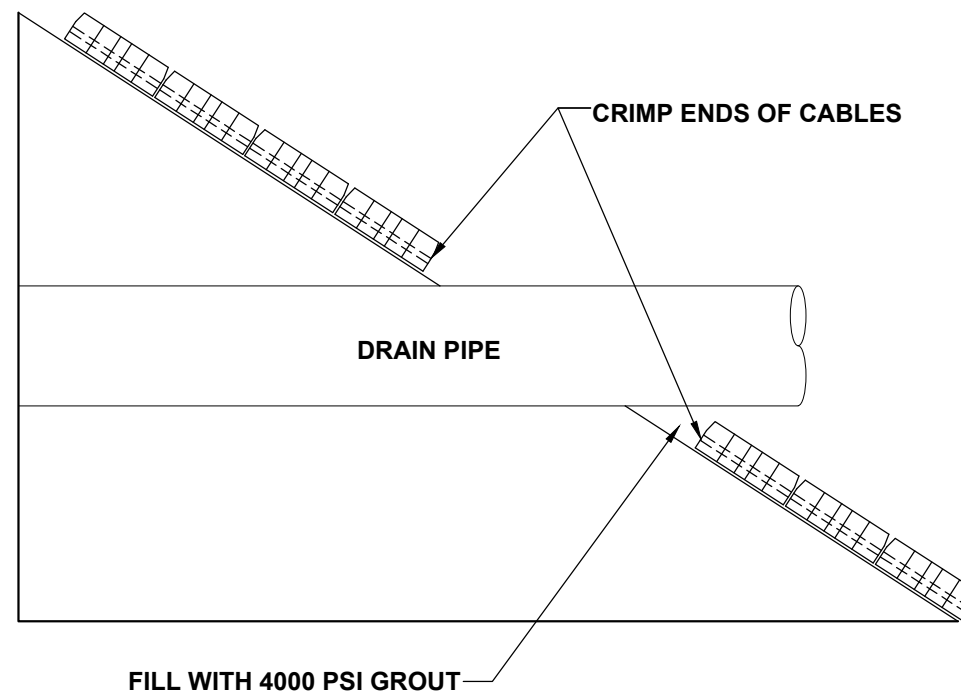


**PLAN**



38200 LA Hwy. 16  
Denham Springs, LA 70706  
1-800-575-7293  
www.shoretec.com

Client:

Scale:

N.T.S.

File Name:

Title:

**SHOREBLOCK® BD SERIES  
DRAIN PIPE PASSING THRU MAT**

Project No:

Drawing No:

22

No.	Date	Revision	By

DISCLAIMER  
THE INFORMATION CONTAINED HEREIN HAS BEEN COMPILED BY SHORETEC® L.L.C AND TO THE BEST OF OUR KNOWLEDGE, ACCURATELY REPRESENTS THE SHORETEC® PRODUCT USE IN THE APPLICATIONS WHICH ARE ILLUSTRATED. FINAL DETERMINATION OF THE SUITABILITY FOR THE USE CONTEMPLATED AND ITS MANNER OF USE ARE THE SOLE RESPONSIBILITY OF THE USER. STRUCTURAL DESIGN AND ANALYSIS SHALL BE PERFORMED BY A QUALIFIED ENGINEER.

THIS DRAWING IS BEING FURNISHED FOR THIS SPECIFIC PROJECT ONLY. ANY PARTY ACCEPTING THIS DOCUMENT DOES SO IN CONFIDENCE AND AGREES THAT IT SHALL NOT BE DUPLICATED IN WHOLE OR IN PART, NOR DISCLOSED TO OTHERS WITHOUT THE CONSENT OF SHORETEC® L.L.C.