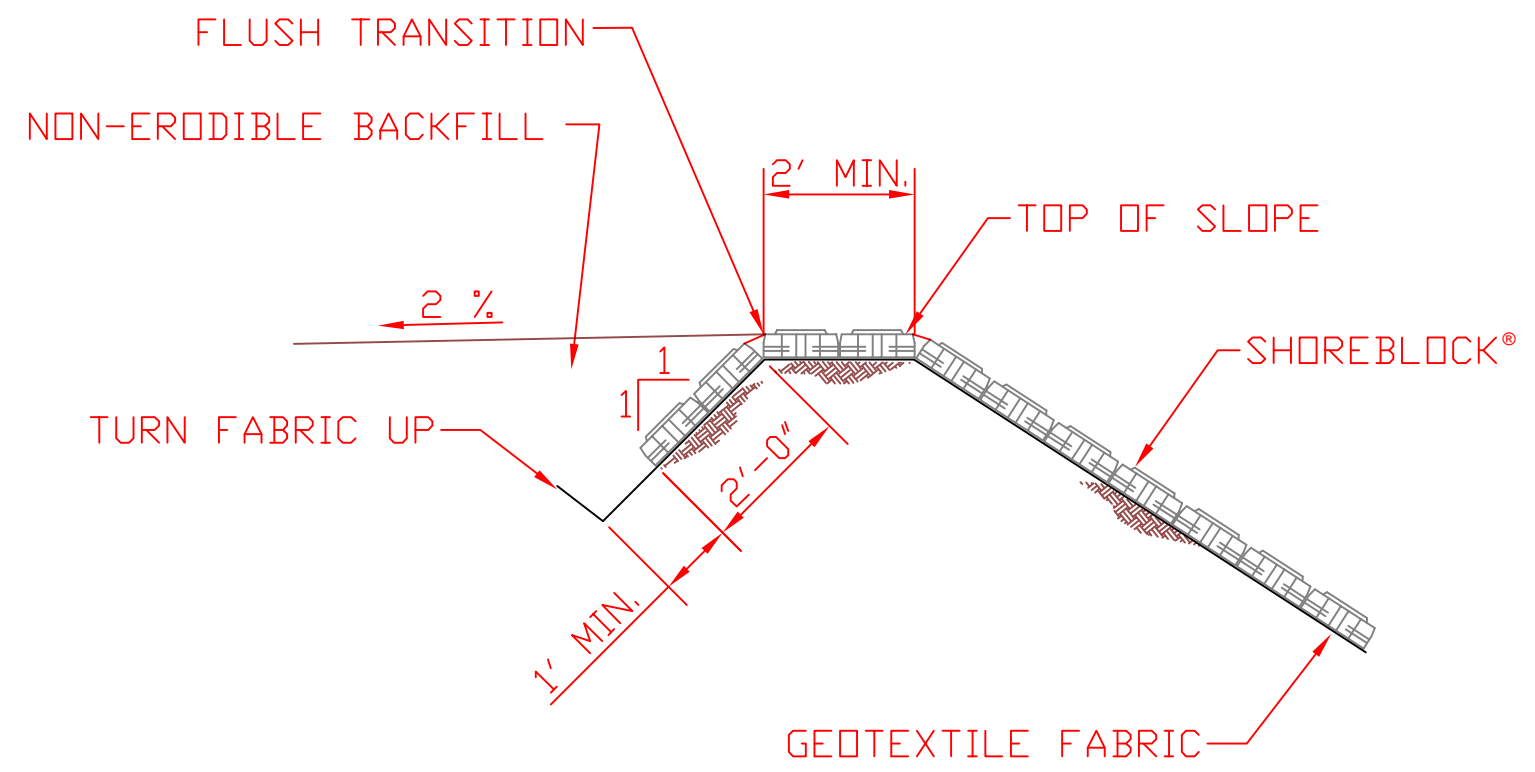


SECTION

(A) WITH MECHANICAL ANCHORING



SECTION

(B) WITHOUT MECHANICAL ANCHORING

**SHORETEC® L.L.C.**  
 510 O'NEAL LANE  
 Baton Rouge, Louisiana 70819  
 (225) 408-1444 - Phone  
 (225) 408-1445 - Fax  
 www.shoretec.com

Client:  
 Scale: N.T.S.  
 Drawn By: A. CASE  
 File Name:

Title:  
 SHOREBLOCK® SD SERIES  
 TOP OF SLOPE ANCHORING DETAILS  
 Project No:  
 Drawing No: 45

No.	Date	Revision	By

DISCLAIMER  
 THE INFORMATION CONTAINED HEREIN HAS BEEN COMPILED BY SHORETEC® LLC AND TO THE BEST OF OUR KNOWLEDGE, ACCURATELY REPRESENTS THE SHOREBLOCK® PRODUCT USE IN THE APPLICATIONS WHICH ARE ILLUSTRATED. FINAL DETERMINATION OF THE SUITABILITY FOR THE USE CONTEMPLATED AND ITS MANNER OF USE ARE THE SOLE RESPONSIBILITY OF THE USER. STRUCTURAL DESIGN AND ANALYSIS SHALL BE PERFORMED BY A QUALIFIED ENGINEER.

THIS DRAWING IS BEING FURNISHED FOR THIS SPECIFIC PROJECT ONLY. ANY PARTY ACCEPTING THIS DOCUMENT DOES SO IN CONFIDENCE AND AGREES THAT IT SHALL NOT BE DUPLICATED IN WHOLE OR IN PART, NOR DISCLOSED TO OTHERS WITHOUT THE CONSENT OF SHORETEC® L.L.C..