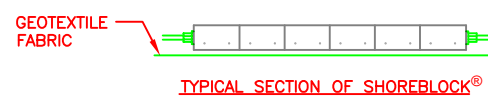
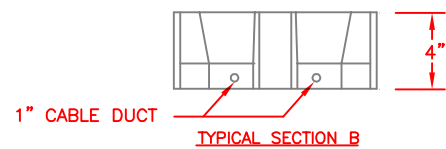


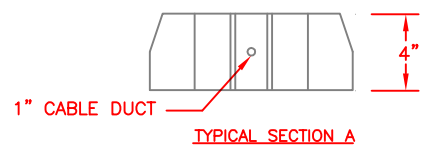
SHOREBLOCK® MAT ASSEMBLY DETAIL  
N.T.S.



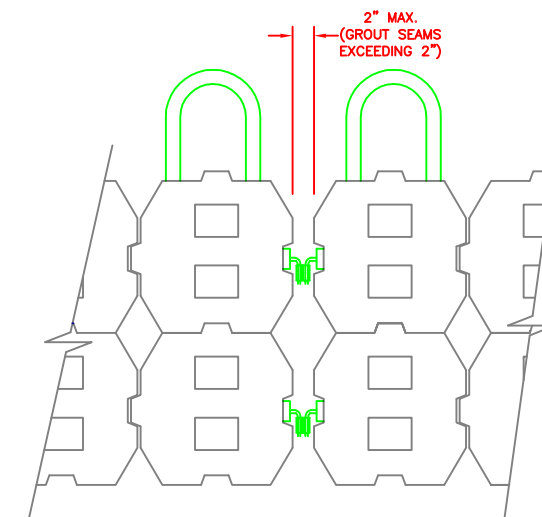
TYPICAL SECTION OF SHOREBLOCK®



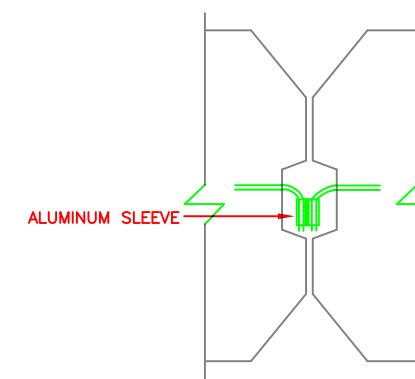
TYPICAL SECTION B



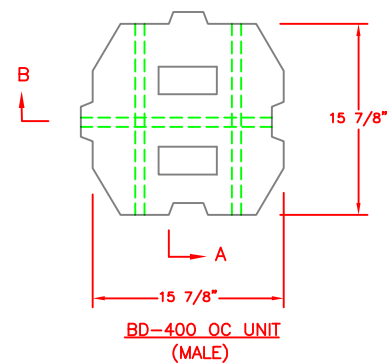
TYPICAL SECTION A



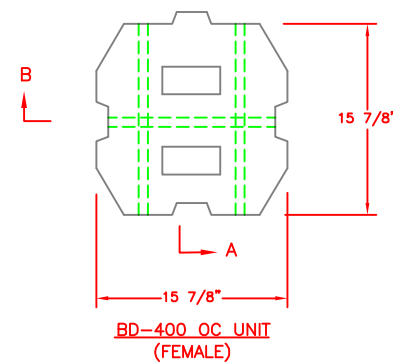
TYPICAL CONNECTION OF TWO MATS



TYPICAL SECTION OF CONNECTOR  
N.T.S.



BD-400 OC UNIT  
(MALE)



BD-400 OC UNIT  
(FEMALE)

**TECHNICAL SPECIFICATIONS**

- SHOREBLOCK® UNITS ARE MANUFACTURED IN ACCORDANCE WITH ASTM C90 AND C140 AND THE FOLLOWING CRITERIA:
  - CONCRETE UNIT WEIGHT 130 - 150 LBS/CF
  - MINIMUM COMPRESSIVE STRENGTH - 4,000 PSI.
  - MAXIMUM ABSORPTION - 5 %
  - DIMENSIONAL TOLERANCE ± 1/8"
- GALVANIZED OR POLYESTER CABLING

**NOTE:**  
FEMALE BLOCK ARE USED ON THE OUTSIDE OF THE MATS TO ALLOW CRIMPING.

| UNIT      | WEIGHT LBS. | COVERAGE (lbs/sq.ft) | OPEN AREA |
|-----------|-------------|----------------------|-----------|
| BD-400 OC | 56 - 62     | 32 - 35              | 20%       |

**ASSEMBLY SPECIFICATIONS**

- SHOREBLOCK® UNITS ARE SHOP ASSEMBLED IN A CABLED MATTRESS AS SHOWN ABOVE.
- SHOREBLOCK® MATS ARE PLACED BY THE CONTRACTOR IN THE FIELD ON PREPARED SLOPES PER THE CONTRACT DRAWINGS.

**SHORETEC® L.L.C.**

510 O'NEAL LANE  
Baton Rouge, Louisiana 70819  
(225) 408-1444 - Phone  
(225) 408-1445 - Fax  
www.shorettec.com

|            |  |  |             |  |  |
|------------|--|--|-------------|--|--|
| Client:    |  |  | Title:      |  |  |
| Scale:     |  |  | Project No: |  |  |
| Drawn By:  |  |  | Drawing No: |  |  |
| File Name: |  |  | By          |  |  |
| N.T.S.     |  |  | 53          |  |  |

|                                           |  |  |
|-------------------------------------------|--|--|
| SHOREBLOCK® BD SERIES<br>BD-400 OPEN CELL |  |  |
| No. Date Revision                         |  |  |
|                                           |  |  |
|                                           |  |  |
|                                           |  |  |

DISCLAIMER  
THE INFORMATION CONTAINED HEREIN HAS BEEN COMPILED BY SHORETEC, LLC AND TO THE BEST OF OUR KNOWLEDGE, ACCURATELY REPRESENTS THE SHOREBLOCK PRODUCT USE IN THE APPLICATIONS WHICH ARE ILLUSTRATED. FINAL DETERMINATION OF THE SUITABILITY FOR THE USE CONTEMPLATED AND ITS MANNER OF USE ARE THE SOLE RESPONSIBILITY OF THE USER. STRUCTURAL DESIGN AND ANALYSIS SHALL BE PERFORMED BY A QUALIFIED ENGINEER.

THIS DRAWING IS BEING FURNISHED FOR THIS SPECIFIC PROJECT ONLY. ANY PARTY ACCEPTING THIS DOCUMENT DOES SO IN CONFIDENCE AND AGREES THAT IT SHALL NOT BE DUPLICATED IN WHOLE OR IN PART, NOR DISCLOSED TO OTHERS WITHOUT THE CONSENT OF SHORETEC L.L.C.